



21.5” Full HD monitor with VA panel and height adjustable stand

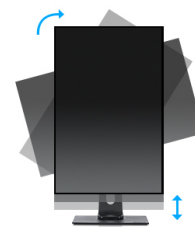
The ProLite XUB2294HSU with VA panel ensures accurate and consistent colour reproduction with wide viewing angles. With a stylish slim bezel, the monitor would make an ideal choice for multi-monitor set ups for enhanced productivity. Equipped with speakers, 2 port USB 3.0 hub, headphone socket, HDMI and DisplayPort connections, a blue light reducer function to reduce eye fatigue and an ergonomic 150mm height adjustable stand for optimal user comfort, make this 21.5” XUB2294HSU-B2 display is ideal for any office or home office application.

Available also in white : [ProLite XUB2294HSU-W2](#)



VA

VA panel technology offers higher contrast, darker blacks and much better viewing angles than standard TN technology. The screen will look good no matter what angle you look at it.



HAS (150mm) + PIVOT

With a height adjustable stand you will create an ergonomic work posture and position that meets all health and safety requirements. This will not only prevent any health issues but will also increase your productivity. The pivot function allows the screen to rotate from landscape to portrait orientation. This functionality can be useful if the application requires more height than width.

01 DISPLAY CHARACTERISTICS

| | |
|----------------------|---|
| Design | 3-side borderless |
| Diagonal | 21.5", 54.5cm |
| Panel | VA matrix, matte finish |
| Native resolution | 1920 x 1080 @75Hz (2.1 megapixel Full HD) |
| Aspect ratio | 16:9 |
| Panel brightness | 250 cd/m ² |
| Static contrast | 3000:1 |
| Advanced contrast | 80M:1 |
| Response time (MPRT) | 1ms |
| Viewing zone | horizontal/vertical: 178°/178°, right/left: 89°/89°, up/down: 89°/89° |
| Colour support | 16.7mIn (sRGB: 96%; NTSC: 72%) |
| Horizontal Sync | 30 - 85kHz |
| Viewable area W x H | 478.7 x 260.3mm, 18.8 x 10.2" |
| Pixel pitch | 0.249mm |
| Colour | matte, black |

02 INTERFACES / CONNECTORS / CONTROLS

| | |
|---------------------|---|
| Signal input | HDMI x1 DisplayPort x1 |
| USB HUB | x2 (v. 3.2 (Gen 1, 5Gbit; DC5V, 900mA)) |
| HDCP | yes |
| Headphone connector | yes |

03 FEATURES

| | |
|-----------------------|--|
| Blue light reducer | yes |
| Flicker free | yes |
| Adaptive Sync support | yes |
| Extra | i-Style colour |
| OSD languages | EN, DE, FR, ES, IT, RU, JP, CZ, NL, PL |
| Control buttons | Joystick Controller/ Power Button : Forward (i-Style Colour/Blue Light Reducer), Backward (Select Input Source), Left (Eco), Right (Volume) |
| User controls | picture adjust (brightness, contrast, Eco, blue light reducer, ACR, OD, MBR), colour settings (colour temp., user preset, i-Style colour), OSD (OSD H. position, OSD V. position, OSD rotate, OSD time), language, recall, miscellaneous (sharp and soft, video mode adjust, opening logo, AMD FreeSync, RGB range, information), input select (source), audio settings (volume, mute audio) |
| Speakers | 2 x 2W |
| Convenience | Kensington-lock™ prepared, DDC/CI, DDC2B, Mac OSX |

04 MECHANICAL

| | |
|------------------------------|---|
| Display position adjustments | swivel, tilt, pivot (rotation both sides) |
| Height adjustment | 150mm |
| Rotation (PIVOT function) | 90° |
| Swivel stand | 90°; 45° left; 45° right |
| Tilt angle | 23° up; 5° down |
| VESA mounting | 100 x 100mm |

Cable management system

yes

05 ACCESSORIES INCLUDED

Cables

power, USB, HDMI

Other

quick start guide, safety guide

06 POWER MANAGEMENT

Power supply unit

internal

Power supply

AC AC - 100V, 240V, 50Hz

Power usage

13W typical, 0.5W stand by, 0.3W off mode

07 SUSTAINABILITY

Regulations

CE, TÜV-Bauart, VCCI-B, PSE, RoHS support, ErP, WEEE, REACH, UKCA

Energy efficiency class (Regulation (EU) 2017/1369)

D

EPEAT

*registration varies by country, go to www.epeat.net for details

REACH SVHC

above 0.1%: Lead

08 DIMENSIONS / WEIGHT

Product dimensions W x H x D

493.5 x 326.5 (476.5) x 221.5mm

Box dimensions W x H x D

615 x 125 x 400mm

Weight (without box)

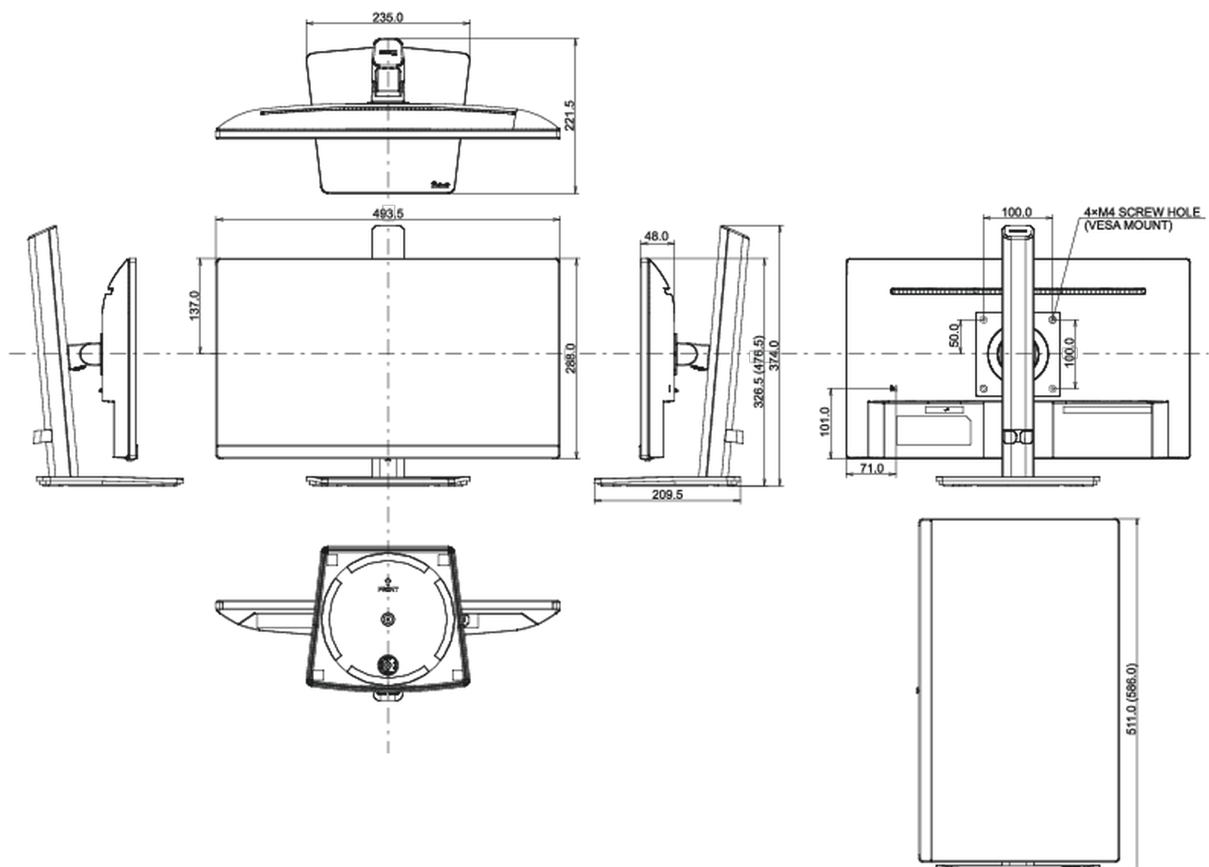
4.2kg

Weight (with box)

5.0kg

EAN code

4948570120789



All trademarks and registered trademarks acknowledged. E & O E. Specification subject to change without notice. All LCD's comply with ISO-9241-307:2008 in connection with pixel defects.

© IYAMA CORPORATION. ALL RIGHTS RESERVED